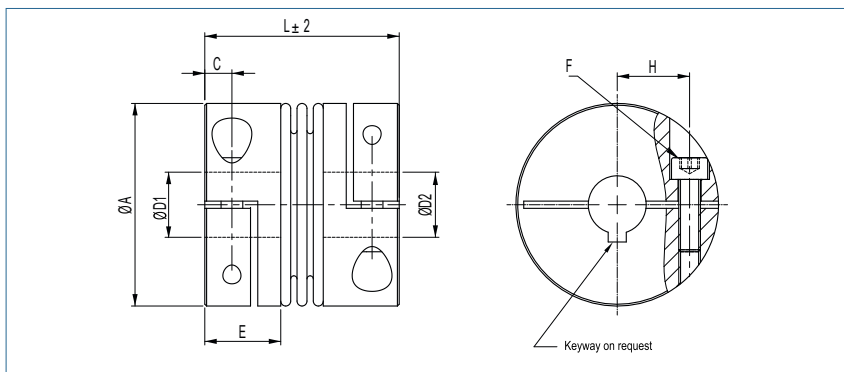


Metal Bellows Coupling

with collet clamps

optional
laserwelded
optional full stainless
steel version



Order Code

KB4K / 400 - 75 - 44 - 40 - (S)

Type / Size

Length
L

ØD1
(H7)

ØD2
(H7)

Options

Size	Torque TKN (Nm)	Dimensions (mm)						Technical Data									
		L Length	Ø A Outer	D1/D2 Bore Sizes (H7) min-max	H	C	E	F Screw (ISO4762) TA (Nm)	Mass (kg)	Moment of Inertia J (g m²)	Spring Stiffness			Misalignment			max. speed min-1
										torsional CT 10³ (Nm/rad)	radial CR (N/mm)	axial CA (N/mm)	radial ΔKr (mm)	axial ΔKa (mm)	angula ΔKw (°)		
10	10	35	32.5	6-18	12	5	13	M4 3.5	0.06	0.008	9	1518	63	0.05	0.5	0.5	15000
20	20	39	40.5	6-25	15.5	5	13.5	M4 4.5	0.09	0.02	15	1208	65	0.05	0.5	0.5	15000
40	40	46	45	10-25.4	17	5.5	17.5	M5 8	0.07	0.04	35	3350	97	0.05	0.5	0.5	12800
80	80	55	56	12-32 30#	20	7.3	21	M6 15	0.26	0.14	53	6436	165	0.05	0.5	0.5	10300
200	200	60	66	16-35	23	8.6	23	M8 40	0.38	0.28	138*	12442	287	0.1	1	0.5	8700
400	400	75	82	32-44	28	9.8	27	M10 84	0.70	0.82	176	6815	338	0.1	1	0.5	6900
650	650	78	90	37-47	31	10.8	29	M12 125	0.89	1.19	230	7910	386	0.1	1.5	1	6400
1000	1000	84	110	42-60	40	11.8	32.5	M12 145	1.37	2.74	579	29096	756	0.1	1.5	1	6000
1500	1500	96	122	50-70	42	13.3	36	M12 145	1.81	4.45	693	20694	639	0.1	1.5	1	5000



Material	bellows - stainless steel hub - aluminium
Hub	bore tolerance: H7
Temperature Range	-30 °C ~ 120 °C
Keyway	optional acc. DIN 6885 biggest bore marked with a # *2-convolution bellows