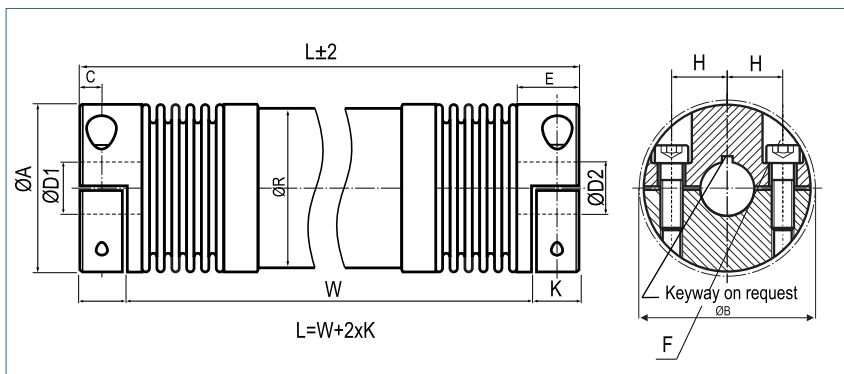


Line Shaft

with split hubs and metal bellows

optional laserwelded  
optional full stainless steel version

optional with carbon tube



Order Code

DRB / 60 - 2000 - 15 - 20 - (S)

Type / Size

Length

ØD1 (H7)

ØD2 (H7)

Options

Size	Torque TKN (Nm)	Dimensions (mm)										Technical Data		
		L		Ø A	D1/D2	H	C	E	K	F	R	B	Spring Stiffness	
		min	max	Outer Ø	Bore Sizes (H7)					Screw (ISO4762) TA (Nm)	Tube Ø	Ø	Torsion Bellows $C_T \cdot 10^3$ (Nm/rad)	Torsion Shaft $C_T \cdot 10^3$ (Nm/rad)
4.5	4.5	68	3000	32.5	6-16	12	5	14	8.5	M4 3,5	30	34	3.2	0.5
10	10	82	3000	40.5	6-25	15.5	5	14	9	M4 4,5	35	41.5	4.1	1.8
18	18	108	3000	45	10-25.4	17	5.5	19.5	13	M5 8	35	47.4	10	1.8
30	30	111	3500	56	10-30	20	7.5	27	17	M6 15	50	56.4	19	6.5
60	60	135	4000	66	12-35	23	9.5	31	21	M8 40	60	66	37.5	11.5
150	150	154	4000	82	14-44	28	11	36	23.5	M10 84	75	82.9	77.5	23
200	200	169	4000	90	16-48	31	12.5	41	27	M12 125	90	90.8	87.5	73
300	300	179	4000	110	20-60	40	13	43	28	M12 145	100	110	251	194
500	500	215	4000	122	25-65	42	15	51	35.5	M12 145	100	122	345	194

**Material** bellows - stainless steel  
hub - aluminium  
tube - aluminium

**Keyway** optional acc. DIN 6885

**Temperature Range** -30 °C ~ 120°C

**Longer versions up to 6m on request!**

**Bellows fail protect system is automatically integrated.**

**Information about permissible misalignments and maximum speeds are available in our assembly - instructions.**